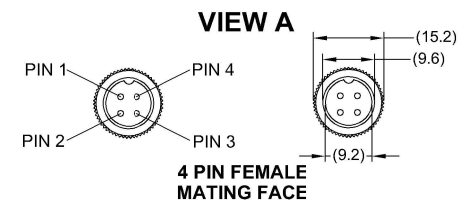
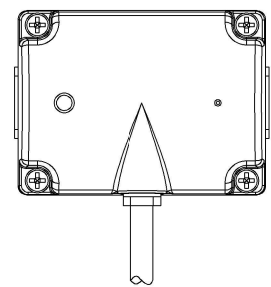
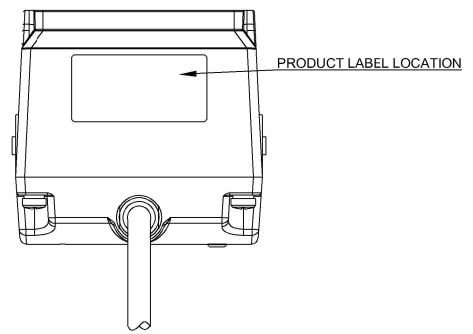
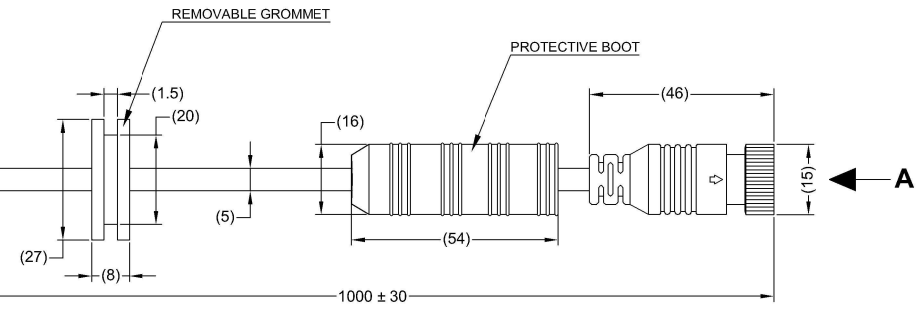
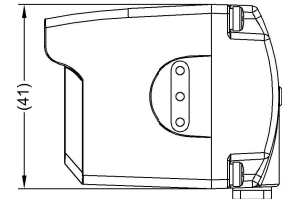
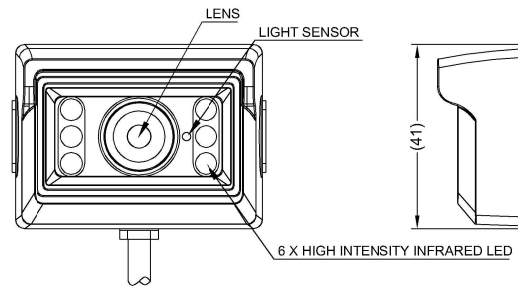
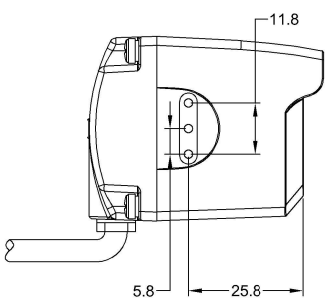
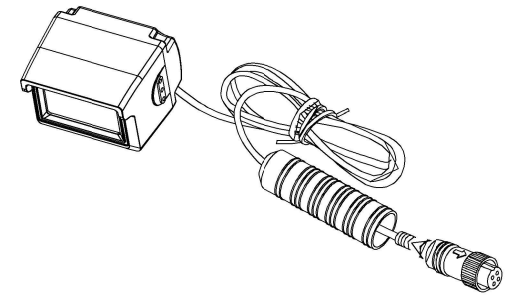
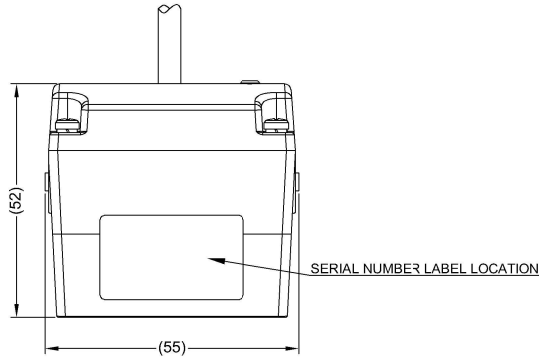


Revision Notes.				
R1 -				
APA: -	Drawn:-	Checked:-	Approved:-	Date: -

PART NO.	MODEL NO.	DESCRIPTION
3895C	VBV-620C-C	CMS Essential, Colour Ultra-Low-Light CMOS PAL Camera
3919C	VBV-621C-C	CMS Essential, Colour Ultra-Low-Light CMOS NTSC Camera



PIN #	WIRE COLOUR	DESCRIPTION
1	RED	+12V
2	BLACK/SHIELD	GND
3	BLACK/SHIELD	GND
4	YELLOW	VIDEO

NOTES:
 1. FINISH IS BLACK.
 2. FOR PRODUCT LABEL AND PACKAGING DETAILS REFER TO MASTER BOM

PROPRIETARY NOTICE
 THIS DESIGN AND TECHNICAL INFORMATION APPEARING ON THIS DRAWING IS THE PROPERTY OF BRIGADE ELECTRONICS, AND IS DISCLOSED IN CONFIDENCE. IT IS NOT TO BE COPIED, REPRODUCED, REVEALED TO OR EXPROPRIATED BY OTHERS, EITHER IN WHOLE OR IN PART WITHOUT THE EXPRESS WRITTEN CONSENT OF BRIGADE ELECTRONICS.



Assembly Pl Approval J. LAM	Approved by S. LAVER	Checked by J. STEWART	Drawn by S. GOVENDER
Angle of Projection 	Units mm	Scale N/A	Released 28/06/21
Status RELEASED	Assembly Ref -		
Part No SEE TABLE	VBV-62XC-C		
	BE-004570-00-21		